



Metallo

7mm Metal top twist pen

Pen Features

- Pen uses Cross® style refill
- Overall length 5-1/4"
- Single tube design
- Intricately etched metal cap

Required Accessories

- 7mm pen mandrel
- 7mm drill bit
- 7mm Barrel trimmer
- 2 piece bushing set # 4578
- 2 Parts Epoxy Glue or Insta Cure (Cyanoacrylate) Glue

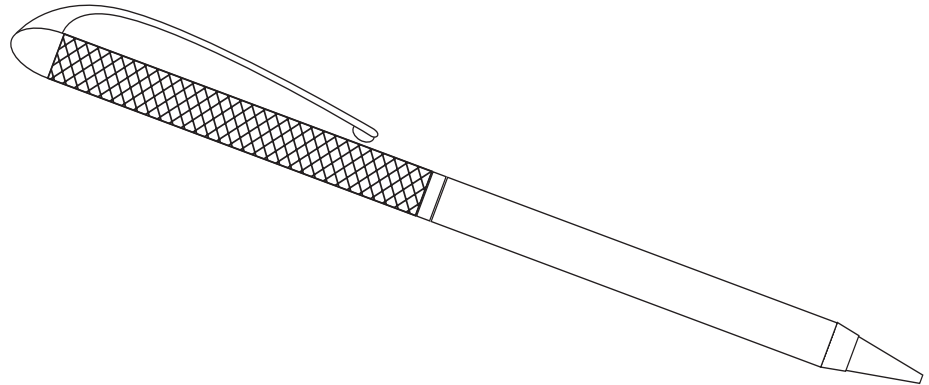
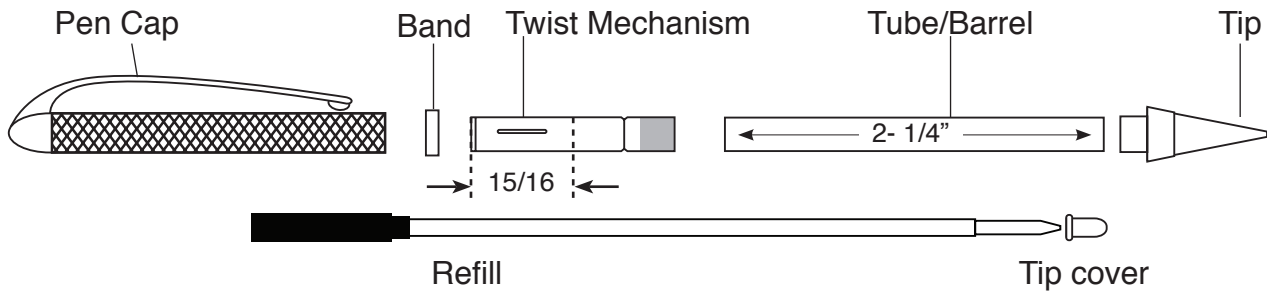


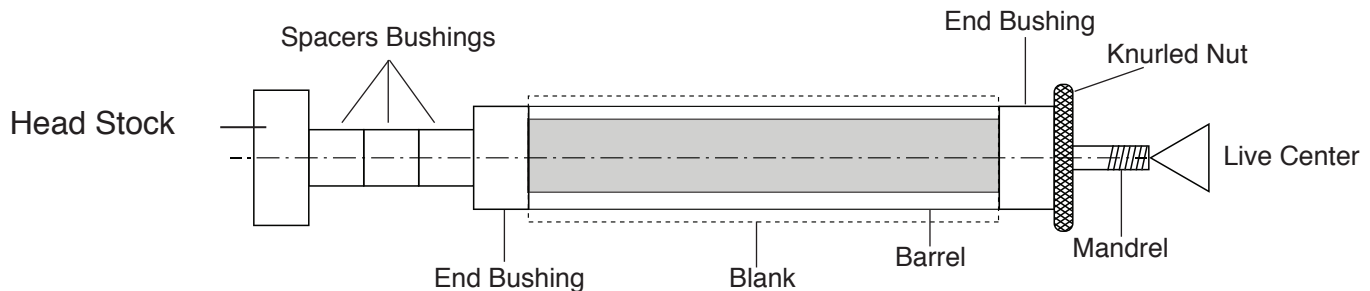
Diagram A /Parts List



Preparing the Blanks

- From 5/8" square stock, the wood or acrylic blank to the length of the brass tube. Add 1/16" for squaring off.
- Drill 7mm center hole lengthwise through the blank.
- Glue the brass tube in the blank. Spread the glue on the tube. Insert into the blank with a twisting motion to spread the glue evenly inside. Center the tube lengthwise in the blank. Allow to dry.
- After the glue dries, use a 7mm barrel trimmer to square the ends of the blank flush with the ends of the brass

Diagram B / Turning the Wood Blanks



Turning the Blank

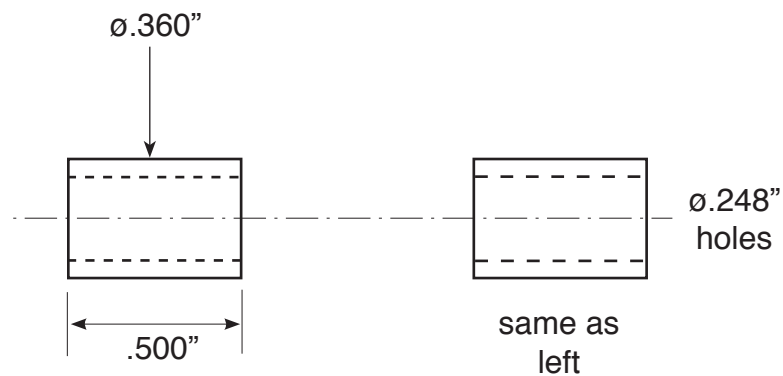
- Mount the bushings and blank onto the mandrel according to diagram 'B'.
- Turn the wood down close to the size of the bushings. Sand the wood down to the bushing diameter.
- Finish the blank with your choice of polish.



Assembly NOTE: Layout parts according to diagram A

- Press the tip into either end of the barrel.
- Press the twist mechanism, brass end in first into the opposite end of the barrel until only 15/16" of the chrome is showing (See Dia A).
- Slide the band over the mechanism.
- Insert the pen cap over the mechanism, to engage the ends, of the pen
- The pen is ready to use by twisting the ends to advance or retrack the refill.

Diagram C / Bushings # 4578



13650 TI Blvd #101 * Dallas, TX 75243
972-669-9130 * www.woodworldtx@gmail.com